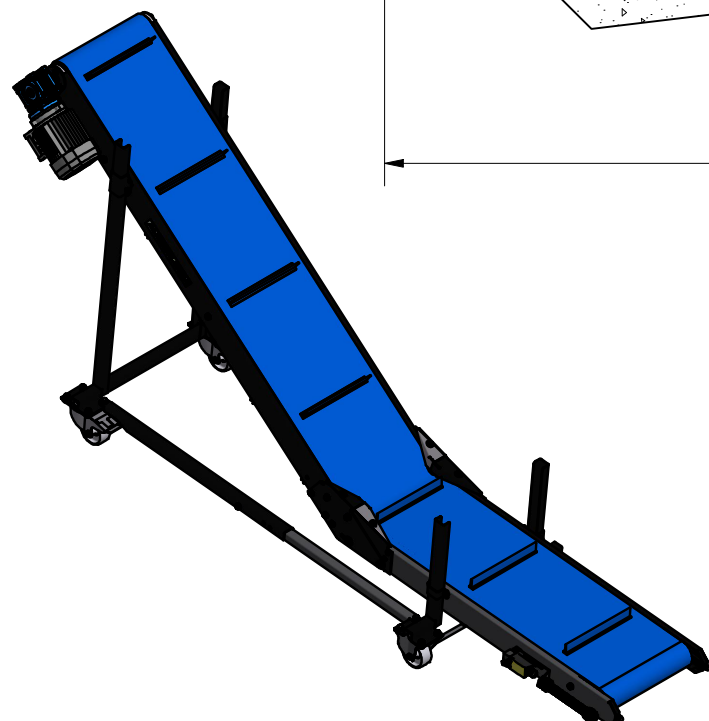
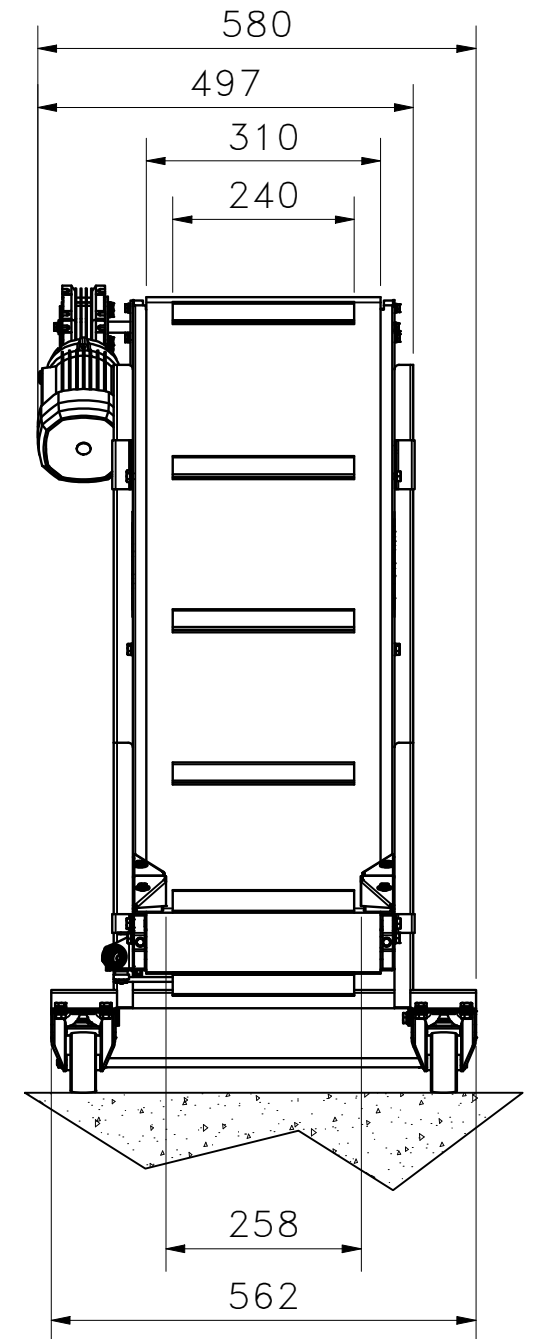
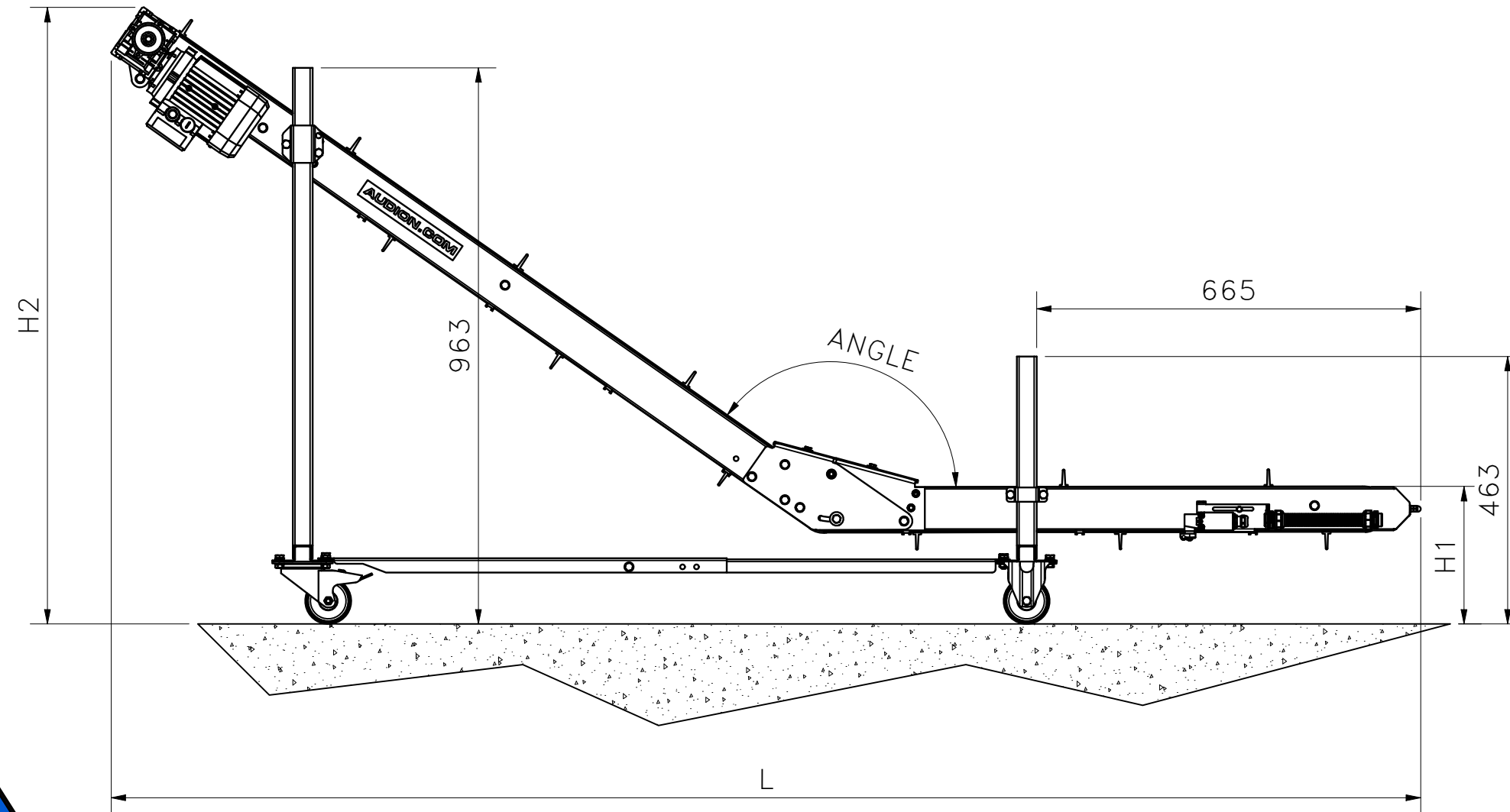


DIMENSIONS			
ANGLE	H1	H2 (DEPENDS ON H1)	L
145°	163-338	992-1167	2267
155°	163-465	773-1075	2374
165°	163-465	497-799	2499



remarks:	date: 6-2-2019	scale: 1 : 10	weight: 54,841 kg	revision:	drawn by:	date:
page: 1#3	sheet: A3	check:	tolerance: ISO 2768/1101	△		
projection: ⊕ ⊖	drawn by: EB	material:		△		
drawing name: AUDION ATBI 250			drawing number: 250 ATBI-800			

This publication, or parts thereof, may not be reproduced in any form, by any method, for any purpose.